

PRODUCT: BEL FSE 60 DOP AU Whi  
 COLOUR: Whi  
 CODE: 444440229  
 ISSUE: A  
 DATE: 08/02/2010



Key	Product	Product Description	TCO	Replace	Date	Qty
NR	073103202	CHASSIS fs 60 e tc frame				1
00358	602925404	FRONTFRAME 60 std mot				1
00783	082360801	SLEEVE silicone (black)				1
0211	082291500	COVER flue vent				1
0314	082233400	FAN cooling DP203A-2123LST-C31				1
0349	081830501	FOOT levelling long				4
0697	562044130	PLINTH 60 blk				1
0728	080180676	SCREW m6x30 pp mc				4
0880	082914200	SWITCH thermal cutout L120C				1
0882	082808902	SWITCH thermal fan				1
NR	073103400	MAIN OVEN fs 60 e fan light				1
0182	082101600	CLIP tubular				4
0210	602598709	FANCOVER 60 flue lamp mot				1
0294	082971302	ELEMENT oven fan 20.35719.010				1
0315	081581800	FAN oven circulation				1
0544	926016900	LAMP assy oven				1
0734	081797200	SEAL main ov 550HL KB				1.6
0791	082554300	SPACER oven fan				3
0880	081545403	SWITCH thermal cut-out 150c				1
0881	082956100	SWITCH oven fan 42.02900.033				1
0912	082558001	THERMOSTAT EGO 55.17069.090				1
NR	073103600	TOP OVEN fs 60 e fg				1
0182	082101600	CLIP tubular				4
0287	082971200	Element gr/dual 20.35715.000				1
0293	082971801	Element base 20.35727.000				1
0467	082852401	HOLDER phial				1
0508	082972400	INSULATION top oven back				1
0511	083000500	INSULATION top oven elec 12mm				1
0734	081797200	SEAL main ov 550HL KB				1.2
0876	083010000	SWITCH top oven 42.03000.029				1
0912	082558001	THERMOSTAT EGO 55.17069.090				1
NR	073103800	HOB MECH 60 e ceramic				1
0289	082584301	ELEMENT ige 10.78431.003/01				2
0290	082584300	ELEMENT small 10.74431.003/01				2
0803	082157501	SPRING element				8
0877	081811500	SWITCH 6 heat 46.27266.500/36				4
NR	073104001	MAIN DOOR MECH fs 60				1
0147	082533800	CATCH roller (nylon)				1
0392	083001000	Glass inner fs 60 main				1
0458	082979700	HINGE bottom door				1
0459	082979701	HINGE top door				1
0738	080180734	SCREW m4x12 tt pck ch blk				4
0823	082494402	STRIKER door (silver)				1
NR	073104201	TOP DOOR MECH fs 60 do				1
00455	082905901	HINGE drop down door (Zan)				2
0392	083001001	Glass inner fs 60 top				1
0738	080180734	SCREW m4x12 tt pck ch blk				2
0835	082963200	Counter support				2
NR	073104409	FURNITURE MAIN 60 stop				1
0420	082917304	GUIDE shelf large lh 1978				1
0421	082917305	GUIDE shelf large rh 1979				1
0749	082917403	SHELF main oven 452 wide 1970				2
NR	073104607	FURNITURE TOP 60 stop				1

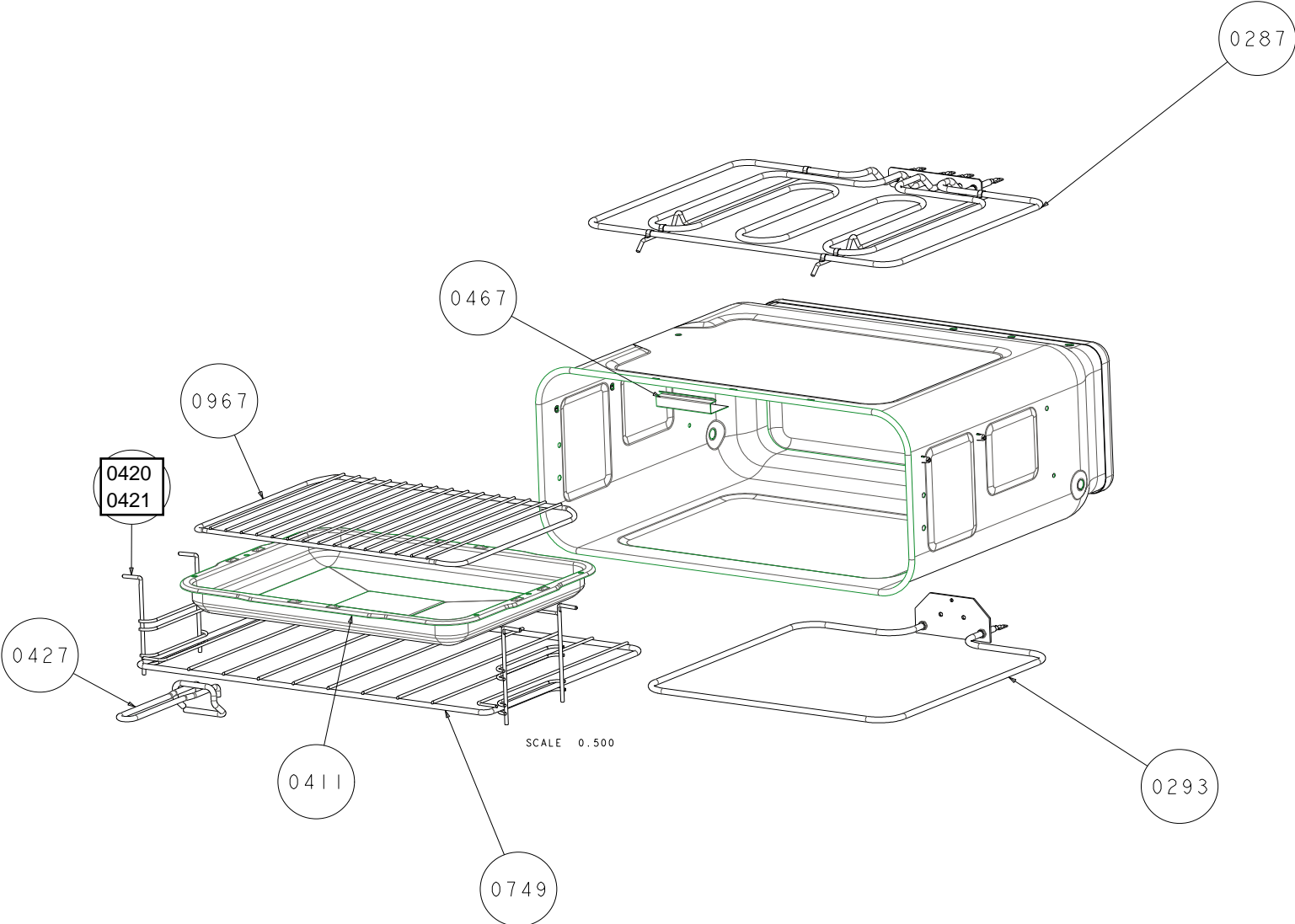
PRODUCT: BEL FSE 60 DOP AU Whi  
 COLOUR: Whi  
 CODE: 444440229  
 ISSUE: A  
 DATE: 08/02/2010



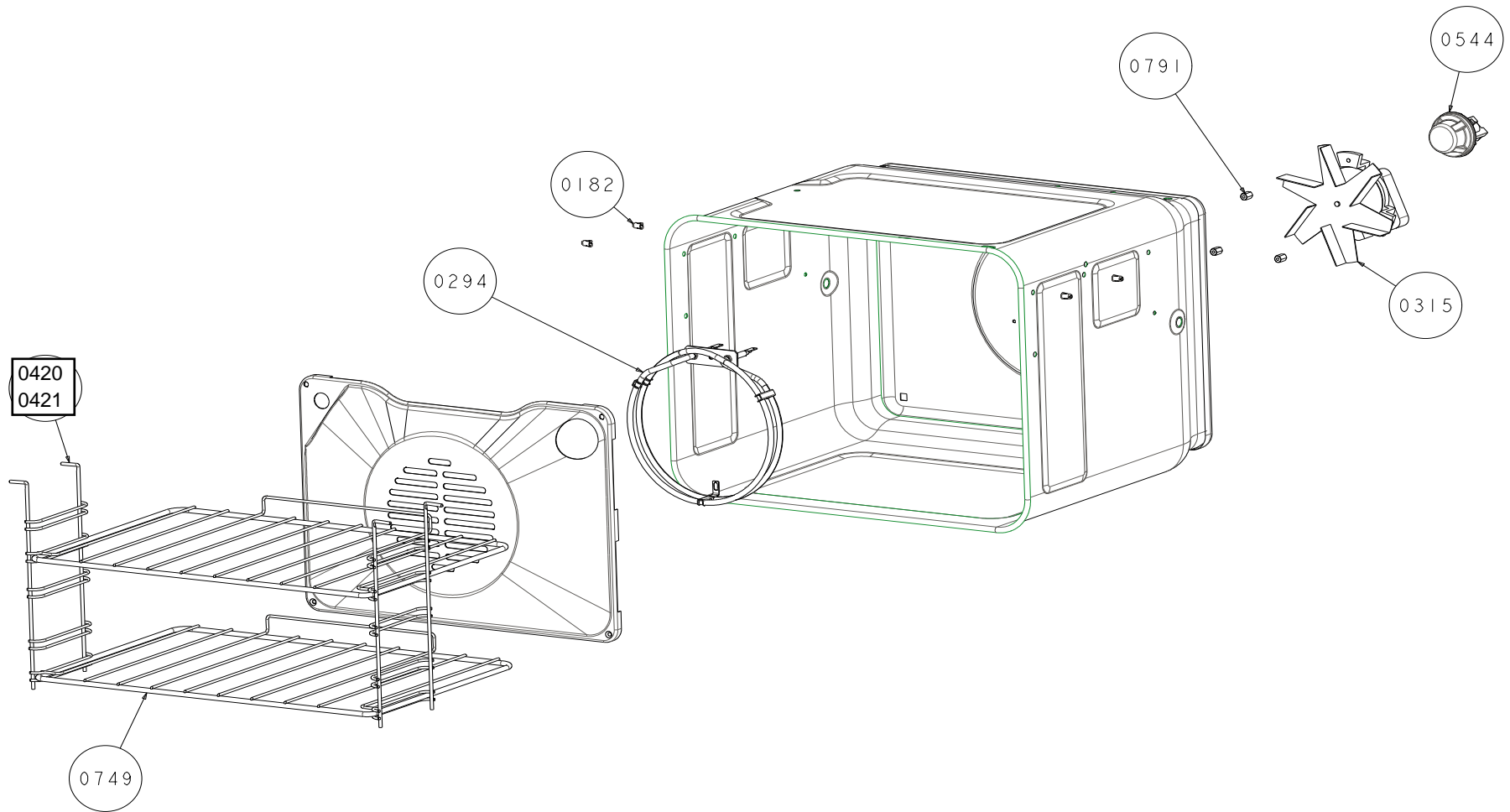
Key	Product	Product Description	TCO	Replace	Date	Qty
0411	602517700	GRILLPAN std mot				1
0420	082917300	GUIDE shelf small lh 1974				1
0421	082917301	GUIDE shelf small rh 1975				1
0427	082283705	HANDLE grill pan 1041				1
0749	082917403	SHELF main oven 452 wide 1970				1
0967	082518800	WIRE TRIVET grill pan 1130				1
NR	073104805	FACIA MECH fs 60 ang e p glass				1
0545	082964901	LENS neon				2
0574	082964900	NEON lamp assembly				2
0871	082423502	SUPPORT neon indicator				2
0917	082998700	TIMER LED143/ESK1351-018				1
NR	073105001	HOB AES 60 e cer frame whi				1
0472	012929411	Hotplate glass assy 60 std whi				1
NR	073105503	MAIN DOOR AES fs 60 be Whi				1
0057	083006000	BRACKET door handle				2
0247	013009701	DOOR assy 60 main be whi				1
0303	082557900	END CAP LH door ext Blk				1
0304	082557901	END CAP RH door ext Blk				1
0428	562989811	HANDLE door be 60 whi				1
NR	073106003	TOP DOOR AES fs 60 be do whi				1
0057	083006000	BRACKET door handle				2
0256	013009601	DOOR assy 60 top be whi				1
0303	082557900	END CAP LH door ext Blk				1
0304	082557901	END CAP RH door ext Blk				1
0428	702989811	HANDLE door be 60 whi				1
NR	073106506	FACIA AES fs be 60 ep Whi				1
01	563003101	ENDCAP facia rh whi				1
01	563003100	ENDCAP facia lh whi				1
0113	082588500	BUTTON timer				3
0322	013009504	FACIA assy be 60 fse dop whi				1
0525	083000907	KNOB con fs elec be Whi/Chr				6
0810	083005100	STEM timer button				3
NR	073107000	WIRING fs e do				1
0040	083029900	BLOCK terminal PA223Sn/3				1
NR	073107501	SIDE PANELS whi				1
NR	073107669	LABELS be fse 60dop-au				1
0424	082746900	HANDBOOK be fse 60DOP-au				1
0424	082746901	HANDBOOK be fse 60DOP-AU				1
0684	563063900	PLATE appliance fixing blk				1
NR	073109600	PACKAGING fs 60				1



FREESTANDING TOP OVEN CAVITY



# FREESTANDING MAIN OVEN ELECTRIC



# FREESTANDING ELECTRIC HOTPLATE

